



**WRP-B410**  
**Water Transfer Utility Pump**  
**Quick Start Instructions**

Before using your water transfer utility pump for the first time, please be sure to read all instructions from the product owner's manual.

**IMPORTANT:**

This is a **NON-SUBMERSIBLE** pump.

Ensure hands are dry while operating the pump.

Pump must be connected only to a properly grounded, GFCI outlet.

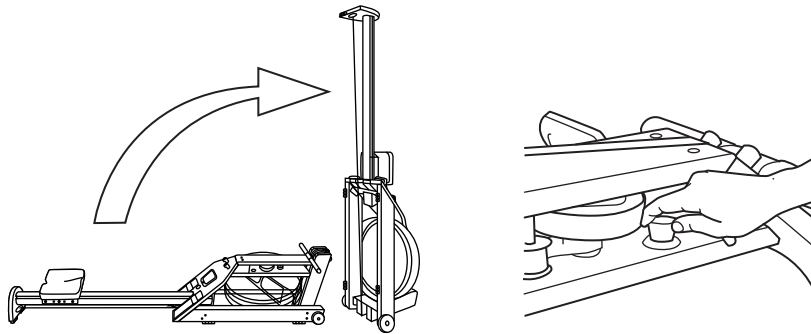
**DO NOT** let the pump run dry - it will be damaged.

Do not attempt to disassemble the motor.

Be sure hoses are tightly connected to avoid personal injury.

**STEP 1**

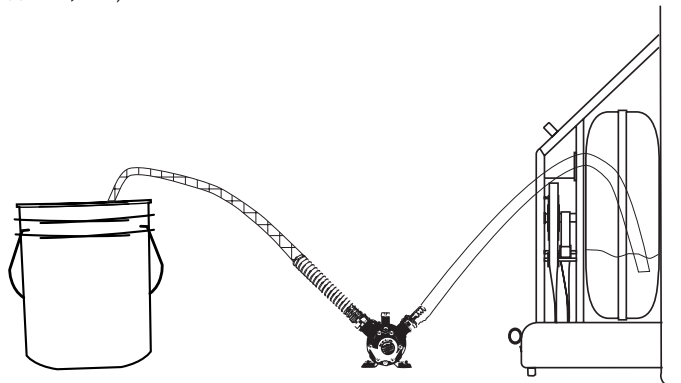
Stand up your rower and remove the stopper from the tank.



**STEP 2**

After inspecting that the inlet (clear) hose and outlet (opaque) hose are tightly connected to the pump:

- Place the clear hose in the WaterRower tank.
- Place the outlet (opaque) hose into the vessel in which the water will drain (sink, bucket, etc.)



**STEP 3**

After ensuring hands are dry, plug in the pump to power on. Water will begin to drain. Closely monitor the pump to:

1. Ensure it is transferring the water (if not, unplug the pump and troubleshoot - page 5 & 6 of the product owner's manual).
2. As soon as the water is drained from the tank, unplug the pump.

**DO NOT LET THE PUMP RUN DRY** - doing so can quickly and irreparably damage the pump in as little as 30 seconds.

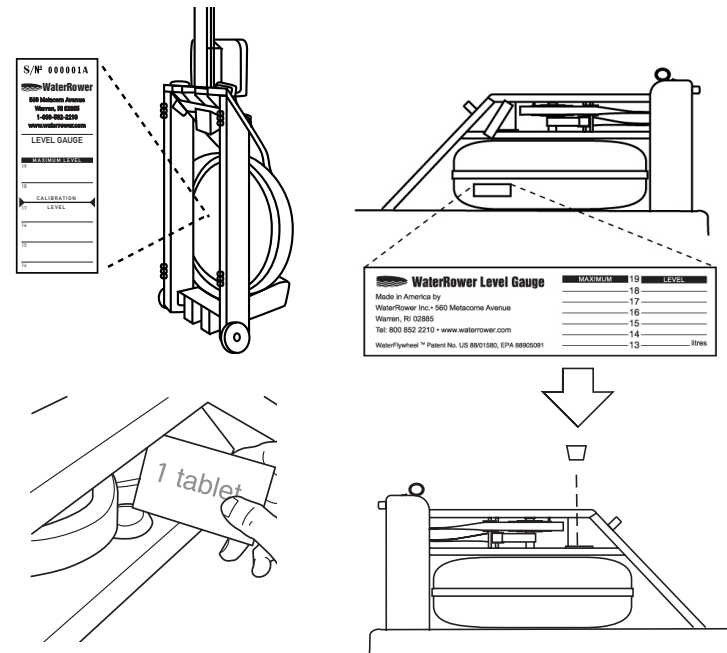
**STEP 4**

Once the pump is unplugged, drain excess water out of the hoses.

**STEP 5**

Proceed with refilling your tank, remembering:

- Do not go above the highest level on the level gauge sticker positioned under the tank (on GX/A1 models), or on the side of the tank (on dual rail S4 models).
- Add municipal water.
- Add a purification tablet when finished filling (Note: do not add a purification tablet if you are adding blue dye).
- Replace the rubber stopper before laying the rower back down.



If you have trouble with the operation of the pump, please refer to the complete owner's manual that came with the pump or contact [service@waterrower.com](mailto:service@waterrower.com).



---

United States | [www.waterrower.com](http://www.waterrower.com)  
560 Metacom Avenue | Warren, RI 02885  
Tel: +1 (401) 247 7742 | [info@waterrower.com](mailto:info@waterrower.com)

United Kingdom | [www.waterrower.co.uk](http://www.waterrower.co.uk)  
19 Acton Park Estate | The Vale, London W3 7QE  
Tel: +44 (0)20 8749 9090 | [info@waterrower.co.uk](mailto:info@waterrower.co.uk)

Australia | [www.waterrower.com.au](http://www.waterrower.com.au)  
Unit 8/46-50 Wellington Rd. | South Granville, NSW 2142  
Tel: +61 (0) 2 9681 4221 | [info@waterrower.com.au](mailto:info@waterrower.com.au)

WRM7095