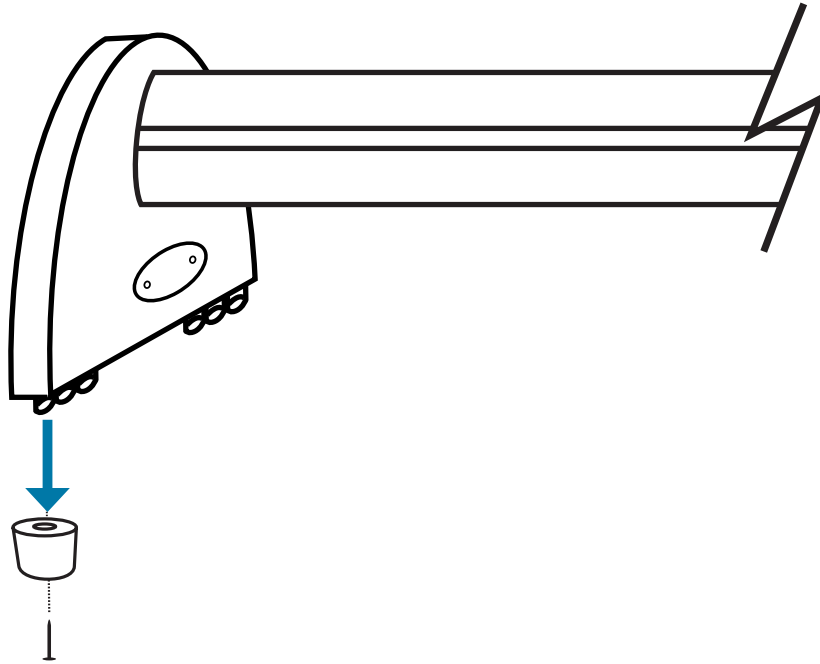


Replacing the Rubber Feet

A

Using a Phillips head screwdriver, unscrew the current rubber feet.

**B**

Screw in the new rubber feet using a Phillips head screwdriver

