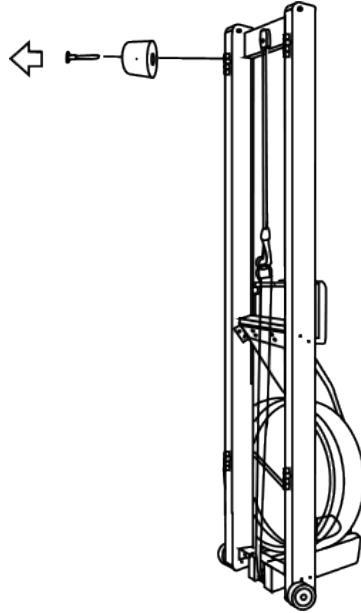
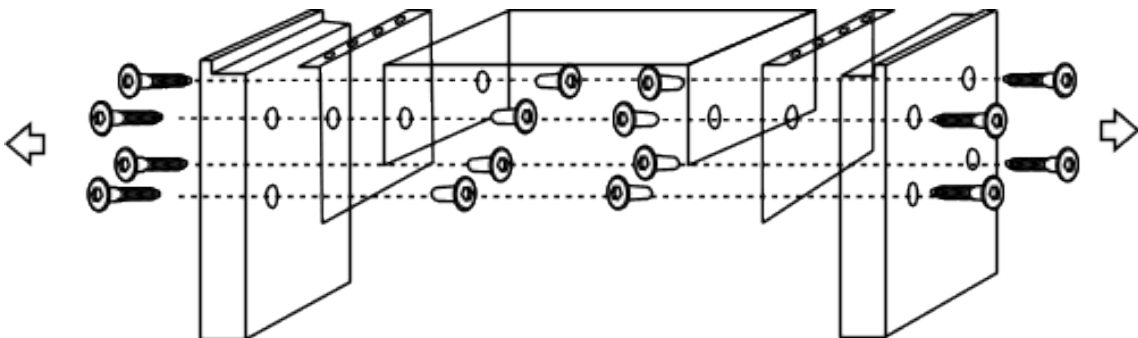


## WaterRower HiRise Adaptor Retrofit

**Step 1-** Stand the WaterRower upright and, using a phillips head screwdriver, remove all 16 Rail Bumpers beneath the rail as shown.

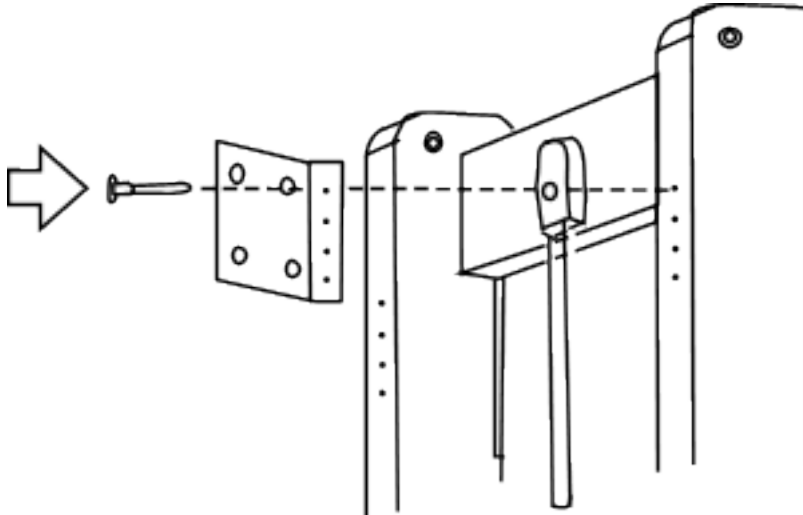


**Step 2-** Disassembly the HiRise Adapter Assembly. Removing all 8 Joint Connector Bolts (JCBs) and Joint Connector Nuts (JCNs) as shown.

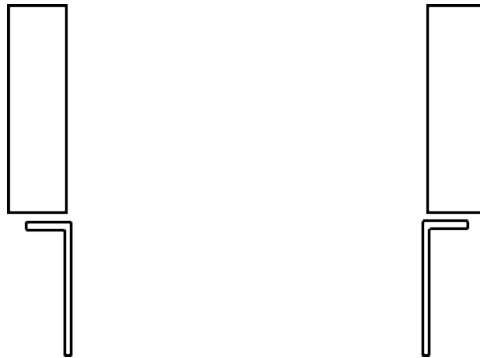


**Step 3-** Attach the HiRise Adaptor Down Brackets with the screws provided into the holes vacated by the rail bumpers

Be sure that the bracket angle is orientated away from the center of the machine, toward the rail ends.



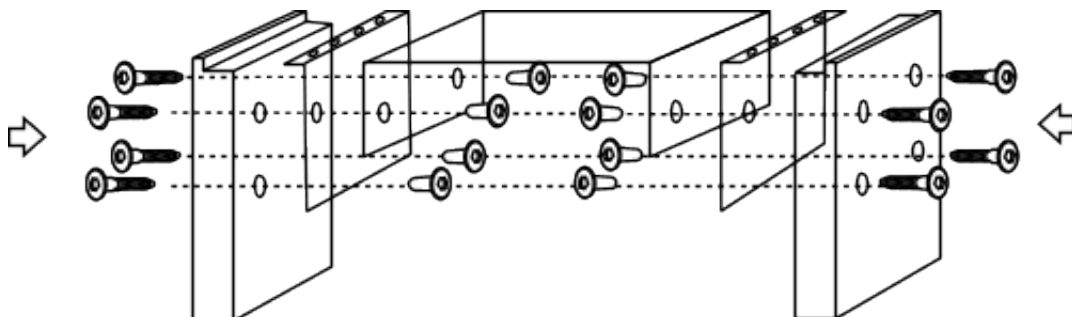
Ensure that the down brackets are orientated so the down section is on the inside of the rail as shown.



**Step 4-** position the HiRise Adaptor Cross Bracket between the two rails and between the two down brackets.

Use the Joint Connector Bolts (JSBs) and Joint Connector Nuts (JCNs) to connect the wooden legs  
It is preferable for the JCNs to be on the inside and the JCBs on the outside, however if you have trouble aligning the bolts reversing this orientation may assist

Do not tighten until all bolts (8) are inserted



**Step 5-** repeat for other end of the WaterRower